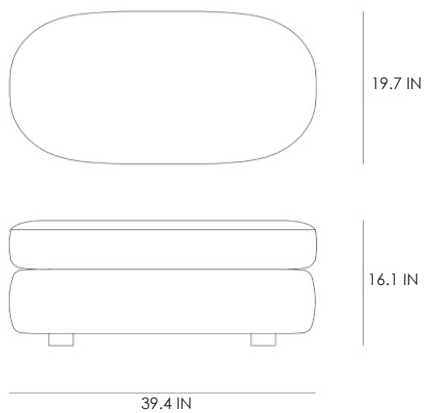


STUDIOTWENTYSEVEN



PALAIS ROYAL POUF BY PIERRE AUGUSTIN ROSE

FABRIC BY PIERRE FREY
BLACK PAINTED OAK LEGS
PRODUCTION TIME 14-16 WEEKS
HANDCRAFTED IN FRANCE

IN H 16.1 W 39.4 D 19.7
CM H 41 W 100 D 50