

STUDIOTWENTYSEVEN

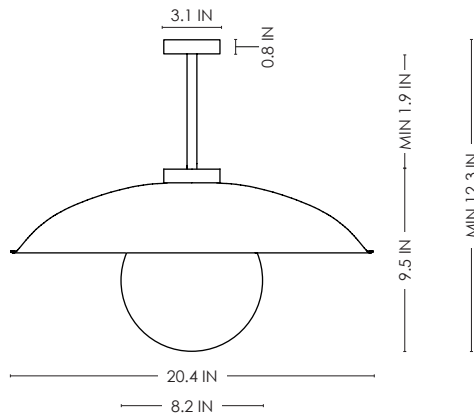
METROPOLIS PENDANT BY **JAN GARNCAREK**
NUMBERED EDITION
SIGNED, SERIAL NUMBER AND CERTIFICATE OF AUTHENTICITY

SPUN BRASS STRUCTURE WITH NICKEL COATING,
COPPER COATING, WAXED OR AGED BRASS FINISH
12V LED BULB
24W
110-240V
3000K
DIMMABLE
CE CERTIFIED
PRODUCTION TIME 10-12 WEEKS
HANDCRAFTED IN POLAND

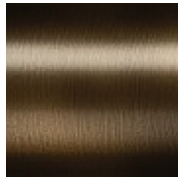
IN H 9.5 Ø 20.4
CM H 24.2 Ø 52



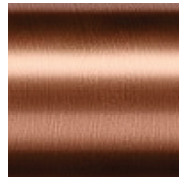
STUDIOTWENTYSEVEN



**WAXED
BRASS**



**AGED
BRASS**



**COPPER COATED
BRASS**



**NICKEL COATED
BRASS**