

STUDIOTWENTYSEVEN



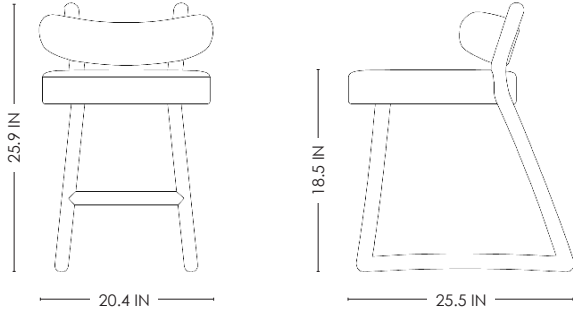
POLUS 001 CHAIR BY **PIERRE AUGUSTIN ROSE**

FABRIC BY PIERRE FREY
SOLID SEMI-GLOSS OAK LEGS
PRODUCTION TIME 14-16 WEEKS
HANDCRAFTED IN FRANCE

IN H 25.9 W 20.4 D 23.2 SH 18.5
CM H 66 W 52 D 59 SH 47

NEW YORK MIAMI LONDON BY APPOINTMENT ONLY ENQUIRE@STUDIOTWENTYSEVEN.COM WWW.STUDIOTWENTYSEVEN.COM

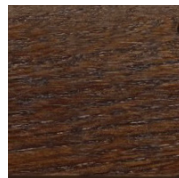
STUDIOTWENTYSEVEN



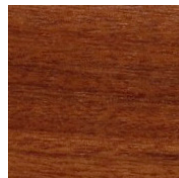
NATURAL LACQUER
OAK



BLACK LACQUER
OAK



WALNUT LACQUER
OAK



MAHOGANY LACQUER
OAK