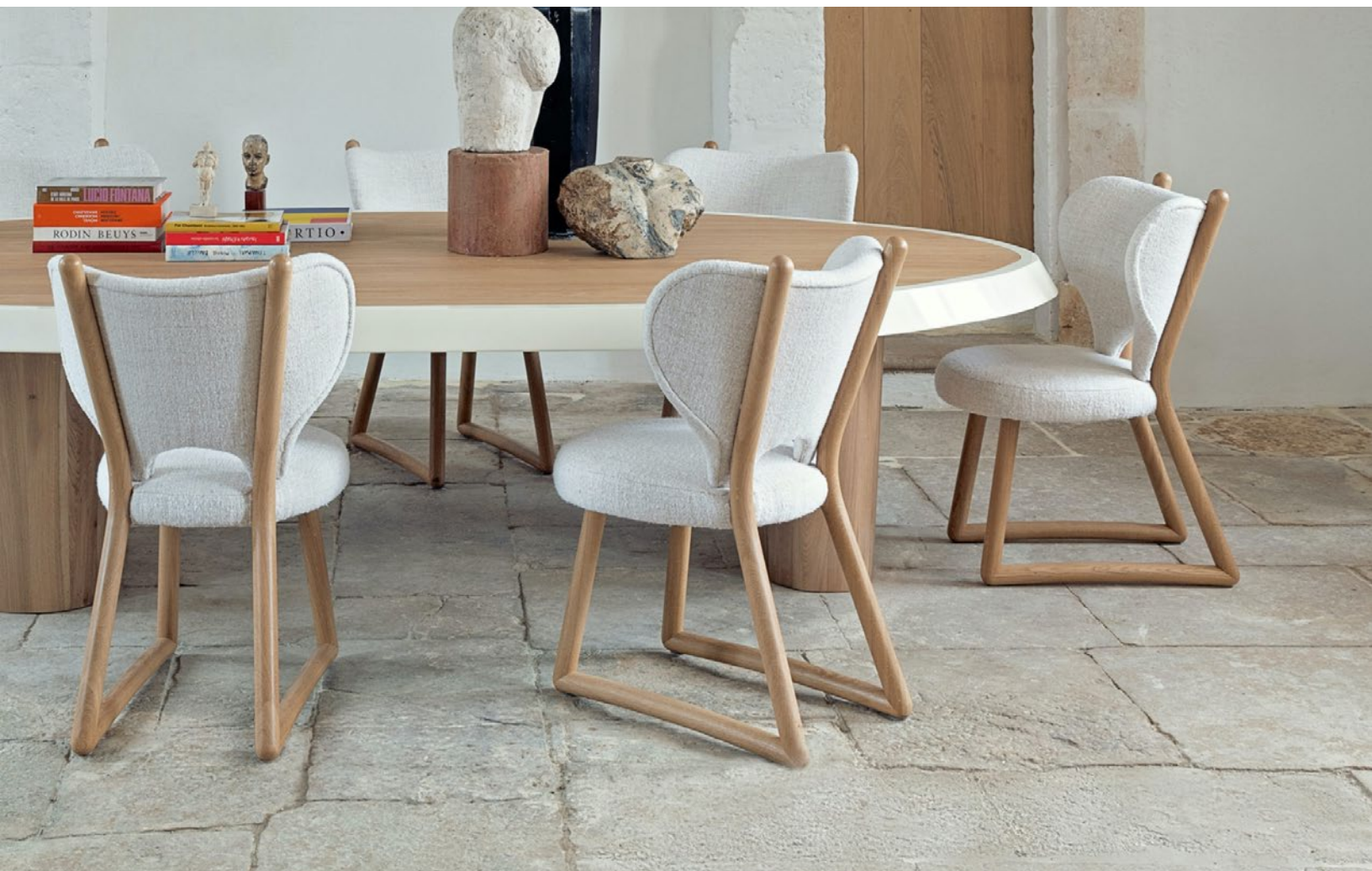


STUDIOTWENTYSEVEN

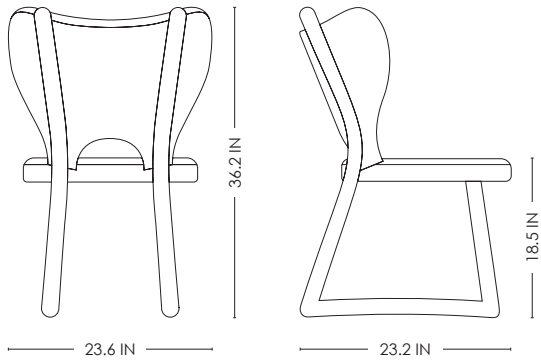


POLUS 002 CHAIR BY **PIERRE AUGUSTIN ROSE**

FABRIC BY PIERRE FREY
SOLID SEMI-GLOSS OAK LEGS
PRODUCTION TIME 14-16 WEEKS
MADE IN FRANCE

IN H 36.2 W 23.6 D 23.2 SH 18.5
CM H 92 W 60 D 59 SH 47

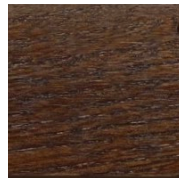
STUDIOTWENTYSEVEN



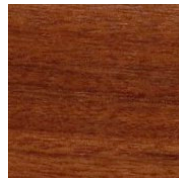
NATURAL LACQUER
OAK



BLACK LACQUER
OAK



WALNUT LACQUER
OAK



MAHOGANY LACQUER
OAK