

STUDIOTWENTYSEVEN



CADILLAC ARMCHAIR & POUF BY **PIERRE AUGUSTIN ROSE**
ORIGINAL DESIGN BY **MAISON ERTON** 1958

FABRIC BY PIERRE FREY
BLACK PAINTED OAK LEGS
PRODUCTION TIME 14-16 WEEKS
MADE IN FRANCE

CADILLAC ARMCHAIR

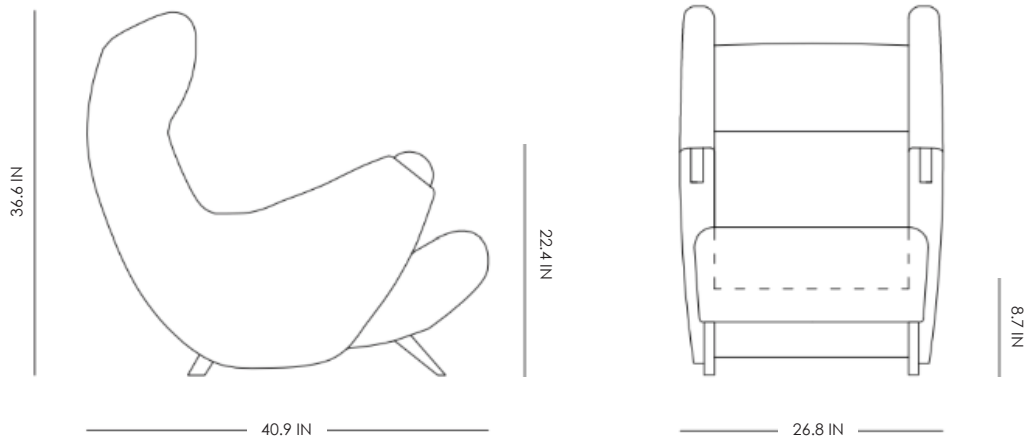
IN H 36.6 W 26.8 D 40.9 SH 8.7 AH 22.4
CM H 93 W 68 D 104 SH 22 AH 57

CADILLAC POUF

IN H 15 W 25.6 D 21.3
CM H 38 W 65 D 54

STUDIOTWENTYSEVEN

CADILLAC ARMCHAIR



CADILLAC POUF

