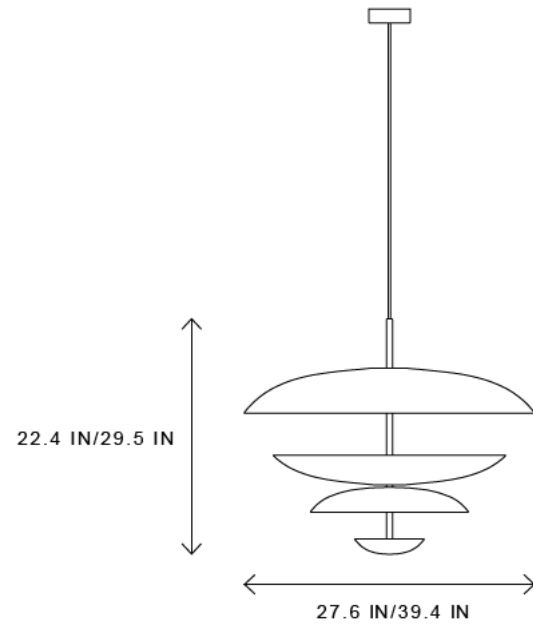


STUDIOTWENTYSEVEN



COSMIC ORE CHANDELIER BY **EVA MENZ**
ATELIER 001 COLLECTION

BRONZE PATINA GRADIENT
SATIN FINISHED BRASS FRAME
HAND-SPUN BRASS PLATE
LED DRIVER DIMMABLE
OUTPUT 700MA 2X17W 1500LM
PRODUCTION TIME 8-10 WEEKS
MADE IN UNITED KINGDOM

IN H 22.4 Ø 27.6
CM H 57 Ø 70

IN H 29.5 Ø 39.4
CM H 75 Ø 100

