

STUDIOTWENTYSEVEN

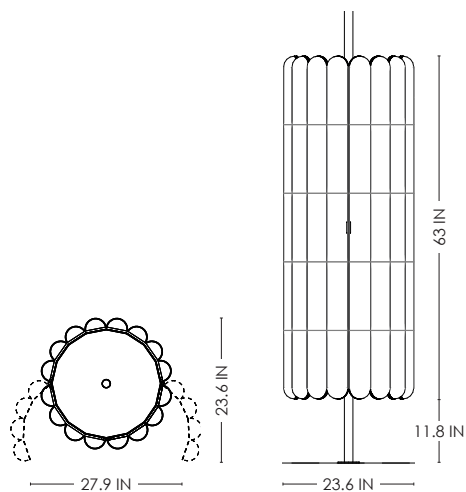


RAKU YAKI BAR CABINET BY **EMMANUELLE SIMON**
NUMBERED EDITION
SIGNED, SERIAL NUMBER AND CERTIFICATE OF AUTHENTICITY
RAKU YAKI COLLECTION
YEAR 2017

RAKU CABINET
POLISHED MIRROR BRASS INTERIOR
PRODUCTION TIME 14-16 WEEKS
MADE IN FRANCE

IN H 74.8 Ø 23.6
CM H 190 Ø 60

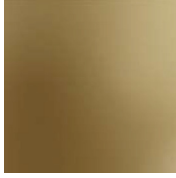
114 450 USD



STUDIOTWENTYSEVEN



RAKU
CERAMIC



POLISHED
BRASS