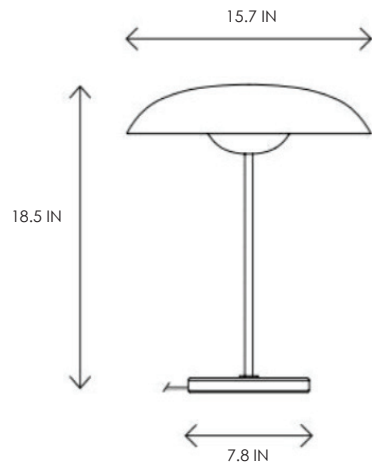


STUDIOTWENTYSEVEN



SOLSTICE ORE LAMP BY **EVA MENZ**
ATELIER 001 COLLECTION

BRONZE PATINA GRADIENT
SATIN FINISHED BRASS FRAME
HAND-SPUN BRASS PLATE
350 MA
16 W 1500 LM
PRODUCTION TIME 8-10 WEEKS
MADE IN UNITED KINGDOM

IN H 18.5 Ø 15.7
CM H 47 Ø 40

