

# STUDIOTWENTYSEVEN

## MERIDIENNE ARMCHAIR BY PIERRE AUGUSTIN ROSE

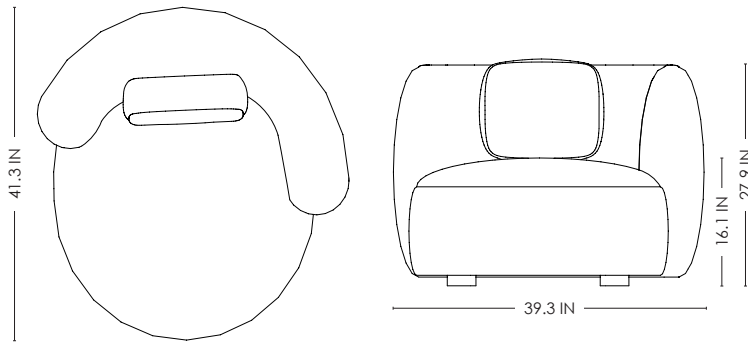
FABRIC BY PIERRE FREY  
LEFT OR RIGHT ARMREST  
BLACK SEMI-GLOSS PAINTED OAK FEET  
PRODUCTION TIME 14-16 WEEKS  
HANDCRAFTED IN FRANCE

IN H 28.3 W 39.3 D 43.3 SH 16.5  
CM H 72 W 100 D 110 SH 42

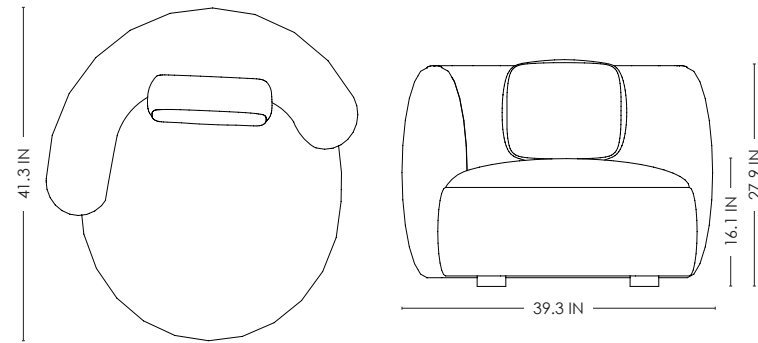


# STUDIOTWENTYSEVEN

LEFT ARMREST



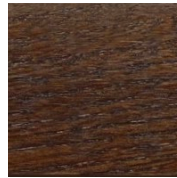
RIGHT ARMREST



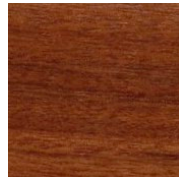
NATURAL LACQUER  
OAK



BLACK LACQUER  
OAK



WALNUT LACQUER  
OAK



MAHOGANY LACQUER  
OAK