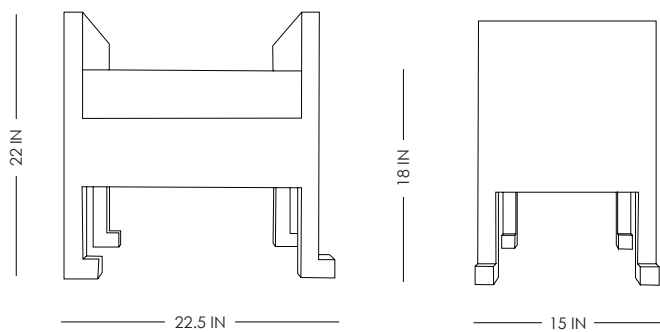


STUDIOTWENTYSEVEN



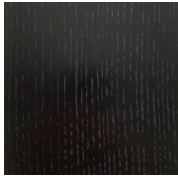
APIS BENCH BY **MAX ZINSER**
MONUMENT COLLECTION
YEAR 2021

UPHOLSTERED IN CAMBON BOUCLE BY ROGERS & GOFFIGON OR
KATAI NATURAL SILK BY LORO PIANA
BLACK, BROWN, SAND OR DUN OAK FRAME
PRODUCTION TIME 8-10 WEEKS
MADE IN AMERICA

IN H 22 W 22.5 D 15 SH 18
CM H 56 W 57 D 38 SH 46



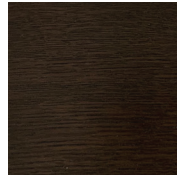
STUDIOTWENTYSEVEN



BLACK
OAK



SAND
OAK



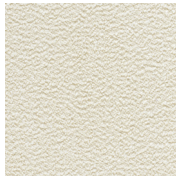
BROWN
OAK



DUN (CERUSED)
OAK



BUNNY
CAMBON BOUCLÉ BY
ROGERS & GOFFIGON



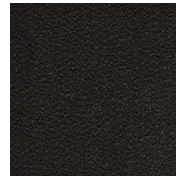
LAMB
CAMBON BOUCLÉ BY
ROGERS & GOFFIGON



LINO
CAMBON BOUCLÉ BY
ROGERS & GOFFIGON



OYSTER
CAMBON BOUCLÉ BY
ROGERS & GOFFIGON



MOLASSES
CAMBON BOUCLÉ BY
ROGERS & GOFFIGON



WAKAME
CAMBON BOUCLÉ BY
ROGERS & GOFFIGON



JAM
CAMBON BOUCLÉ BY
ROGERS & GOFFIGON



ANVIL
CAMBON BOUCLÉ BY
ROGERS & GOFFIGON