

# STUDIOTWENTYSEVEN



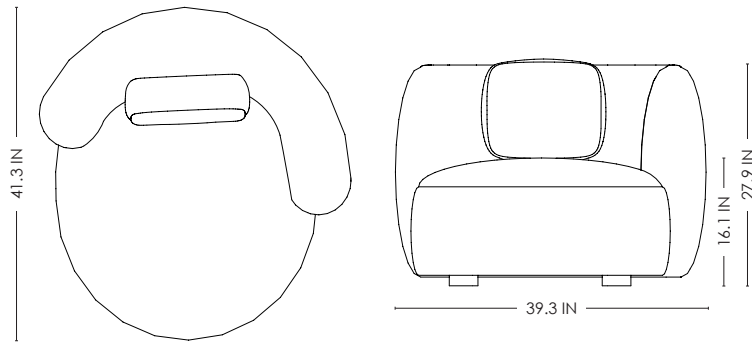
MERIDIENNE ARMCHAIR BY **PIERRE AUGUSTIN ROSE**

FABRIC BY PIERRE FREY  
LEFT OR RIGHT ARMREST  
PRODUCTION TIME 14-16 WEEKS  
MADE IN FRANCE

IN H 27.9 W 39.3 D 41.3 SH 16.1  
CM H 71 W 100 D 105 SH 41

# STUDIOTWENTYSEVEN

LEFT ARMREST



RIGHT ARMREST

