

STUDIOTWENTYSEVEN

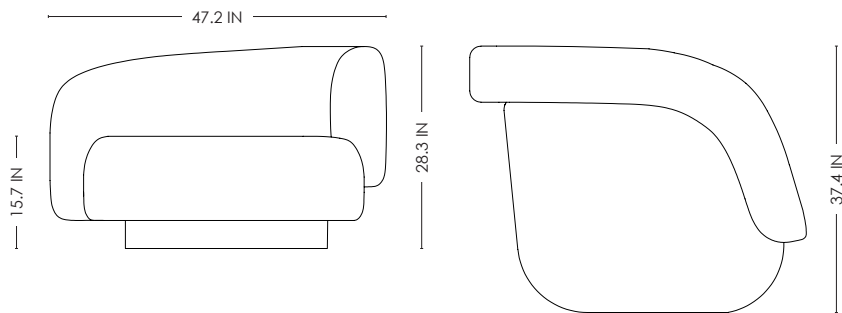


REPOSER ARMCHAIR BY **ADAM COURT**

UPHOLSTERED IN FABRIC
NATURAL ASH, CARBON ASH, DARK JAVA ASH, MOCCA ASH, NATURAL WALNUT,
POLISHED BRASS, BRUSHED BRASS, BRUSHED AND OXIDIZED BRASS OR POLISHED STAINLESS STEEL BASE
SWIVEL BASE AVAILABLE
PRODUCTION TIME 14-16 WEEKS
MADE IN PORTUGAL

IN H 28.3 W 47.2 D 37.4 SH 15.7
CM H 72 W 120 D 95 SH 40

STUDIOTWENTYSEVEN



NATURAL
ASH



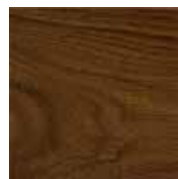
CARBON
ASH



DARK JAVA
ASH



MOCCA
ASH



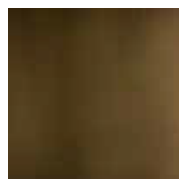
NATURAL WALNUT
ASH



POLISHED
BRASS



BRUSHED
BRASS



BRUSHED & OXIDISED
BRASS



POLISHED
STAINLESS STEEL