

STUDIOTWENTYSEVEN

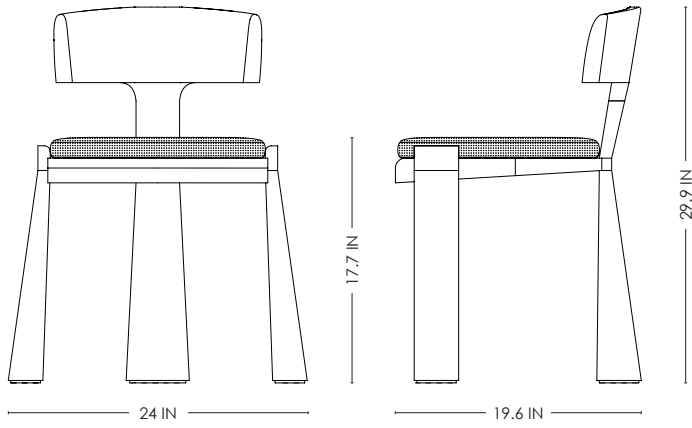


DELHI 01 CHAIR BY **THOMAS MOISAN** EXCLUSIVELY FOR STUDIOTWENTYSEVEN
NUMBERED EDITION
SIGNED, SERIAL NUMBER AND CERTIFICATE OF AUTHENTICITY
DELHI COLLECTION
YEAR 2024

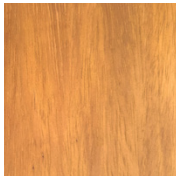
DETACHABLE SEAT CUSHION UPHOLSTERED IN SUNMOOD CHÂTAIGNE BY BISSON BRUNEEL
NATURAL OR OILED IROKO FRAME
PRODUCTION TIME 14-16 WEEKS
MADE IN FRANCE BY ATELIER BRIMBOIS

IN H 29.9 W 24 D 19.6 SH 17.7
CM H 76 W 61 D 50 SH 45

STUDIOTWENTYSEVEN



NATURAL
IROKO



OILED
IROKO